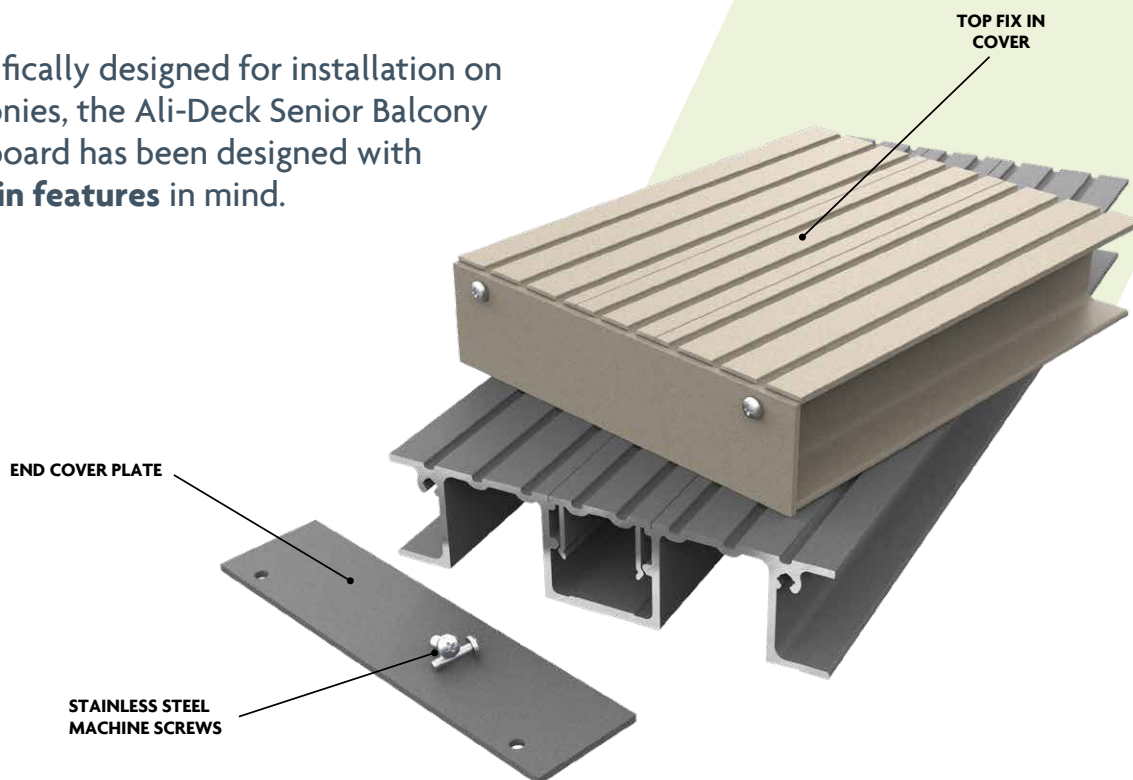


Ali-Deck

SENIOR BALCONY FLAT BOARD

Specification Datasheet

Specifically designed for installation on balconies, the Ali-Deck Senior Balcony Flat board has been designed with **4 main features** in mind.



1 FIRE RESISTANCE

The boards are manufactured completely from aluminium and are therefore fire resistant and non-combustible to A2 - s1, d0 when coated.

3 DRAINAGE

They can also be spaced to allow for varying drainage requirements (unlike any other system).

2 INSTALLATION

Speed and ease of installation are key to any project, so we have designed a board that has a unique invisible (structural) top clip system which can be installed from the top down. The board can also be trimmed down the length to match any projection of balcony and still be structurally stable across the whole plank.

4 AESTHETICS

Aesthetics are key to a great finish; our boards are designed to look like decking but not to feel like aluminium.

Rochester Airport Trading Estate
27 Laker Road
Rochester
Kent ME1 3QX

Tel: 01622 235 672
Email: info@alideck.co.uk
www.alideck.co.uk

 **ALIDECK**™
Aluminium Decking

Product Specification

- Fire resistant: A2 - s1, d0 when coated
- Slip resistance in the dry – 72 PTV
- Slip resistant in the wet – 48 PTV
- The weight of the standard balcony board including the clip in cover is 2.105 kg per linear M
- Coating thickness - 60-80 microns
- Impact test - with an energy of 2.5Km to ensure that the coating adheres to the substrate to EN ISO 6272 / ASTM D2794
- Bend test - on 5mm mandrel to ensure adhesion after bending to EN ISO 1519
- Machu Test (accelerated corrosion test) - in a solution made up of sodium chloride acetic acid and hydrogen peroxide at 37degrees C Duration 48 hours
- Qualicoat 2.4.1. - cross hatch cuts are made at 2mm spacings with one being at 90 degrees to the other cut, tape is the applied left for 2 minutes and removed to check for adhesion of paint (EN ISO 2409 2013)
- Qualicoat 2.18 - sawing and drilling test to ensure no flaking after cutting (using sharp tools)
- Acid salt spray test - ISO 9227
- EN ISO 3231 - Resistance to humid atmospheres containing Sulphur Dioxide
- EN ISO 11341 - Accelerated weathering test
- EN ISO 20810 - Natural weathering test (Florida Test) (Carried out on Powder Type)
- EN ISO 12206-1 - Resistance to mortar (Carried out on powder type)
- EN ISO 6270 – 2 - Constant climate condensation water test.
- Choice of colour - Available in two colours; Textured Silver Grey & Textured Sand as shown opposite. Other colours are available on request.

Protective Finish

The planks are coloured using the Qualicoat powder coating finish. Qualicoat is a quality label organisation committed to maintaining and promoting the quality of coating on aluminium and its alloys for architectural applications.

Installation

The Ali-Deck aluminium decking boards are 50% quicker to install compared to other decking systems on the market. This is because you only need to install the Ali-Deck Supa Joists or support system up to every 1.2 metres on a 4kN loading, whereas most other decking systems require joists every 400mm. Full installation videos and installation guides are available on www.alideck.co.uk.

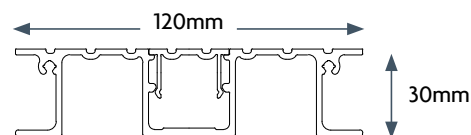
Dimensions

INDIVIDUAL BOARDS:

Length: 6 metres

Width: 120mm

Depth: 30mm



The boards can be cut to size along both the length and width

Maximum Overall Decking Area: Unlimited
Allowable Span: 1200mm on 4kN load

Construction

The boards are constructed completely from 100% aluminium (6063 T6 grade), up to 30% of which has been recycled to make these boards eco-friendly and much better for the environment.

Maintenance

Due to the fact that Ali-Deck is aluminium and finished using the 5 stage Qualicoat system, little or no maintenance is required. General grime can be removed simply with a damp, lint free cloth or mop with warm soapy water.

Colour Options

The decking boards are available in two colours as shown to the right; textured silver grey and textured sand. Other colours are available on request.



The boards can be supplied without a powder coated finish to achieve the A1 fire rating and would therefore be a natural aluminium colour and appearance.

Warranty

The decking is supplied with a **10 year warranty** against splitting, cracking, warping, splintering, rotting, twisting and material or manufacturing defects. It has a minimum **50 year life** expectancy.



ALL ALUMINIUM



HEAT RESISTANT



DURABLE TEXTURED FINISH



LOW MAINTENANCE



RECYCLABLE



STABLE IN ALL WEATHER CONDITIONS



A2 FIRE RATED

Rochester Airport Trading Estate
27 Laker Road
Rochester
Kent ME1 3QX

Tel: 01622 235 672
Email: info@alideck.co.uk
www.alideck.co.uk

 **ALIDECK**™
Aluminium Decking

Ali-Deck JUNIOR BALCONY FLAT BOARD

Specification Datasheet

Specifically designed for installation on balconies, the Ali-Deck Junior Balcony Flat board has been designed with **4 main features** in mind.



1 FIRE RESISTANCE

The boards are manufactured completely from aluminium and are therefore fire resistant and non-combustible to A2 - s1, d0 when coated.

3 DRAINAGE

They can also be spaced to allow for varying drainage requirements (unlike any other system).

2 INSTALLATION

Speed and ease of installation are key to any project, so we have designed a board that has a unique invisible (structural) top clip system which can be installed from the top down. The board can also be trimmed down the length to match any projection of balcony and still be structurally stable across the whole plank.

4 AESTHETICS

Aesthetics are key to a great finish; our boards are designed to look like decking but not to feel like aluminium.

Rochester Airport Trading Estate
27 Laker Road
Rochester
Kent ME1 3QX

Tel: 01622 235 672
Email: info@alideck.co.uk
www.alideck.co.uk

 **ALIDECK**™
Aluminium Decking

Product Specification

- Fire resistant: A2 - s1, d0 when coated
- Slip resistance in the dry – 72 PTV
- Slip resistant in the wet – 48 PTV
- The weight of the standard balcony board including the clip in cover is 1.58 kg per linear M
- Coating thickness - 60-80 microns
- Impact test - with an energy of 2.5Km to ensure that the coating adheres to the substrate to EN ISO 6272 / ASTM D2794
- Bend test - on 5mm mandrel to ensure adhesion after bending to EN ISO 1519
- Machu Test (accelerated corrosion test) - in a solution made up of sodium chloride acetic acid and hydrogen peroxide at 37degrees C Duration 48 hours
- Qualicoat 2.4.1. - cross hatch cuts are made at 2mm spacings with one being at 90 degrees to the other cut, tape is the applied left for 2 minutes and removed to check for adhesion of paint (EN ISO 2409 2013)
- Qualicoat 2.18 - sawing and drilling test to ensure no flaking after cutting (using sharp tools)
- Acid salt spray test - ISO 9227
- EN ISO 3231 - Resistance to humid atmospheres containing Sulphur Dioxide
- EN ISO 11341 - Accelerated weathering test
- EN ISO 20810 - Natural weathering test (Florida Test) (Carried out on Powder Type)
- EN ISO 12206-1 - Resistance to mortar (Carried out on powder type)
- EN ISO 6270 – 2 - Constant climate condensation water test.
- Choice of colour - Available in two colours; Textured Silver Grey & Textured Sand as shown opposite. Other colours are available on request.

Protective Finish

The planks are coloured using the Qualicoat powder coating finish. Qualicoat is a quality label organisation committed to maintaining and promoting the quality of coating on aluminium and its alloys for architectural applications.

Installation

The Ali-Deck Aluminium decking boards are 50% quicker to install compared to other decking systems on the market. These boards are fixed from the top down so required no fancy, fiddly fixings. It can also span 495mm between joists on a 4kN loading. Specific loading specifications are available on request. Full installation videos and installation guides are available on www.alideck.co.uk.

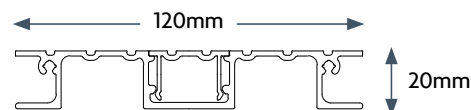
Dimensions

INDIVIDUAL BOARDS:

Length: 6 metres

Width: 120mm

Depth: 20mm



The boards can be cut to size along both the length and width

Maximum Overall Decking Area: Unlimited
Allowable Span: 495mm on 4kN load

Construction

The boards are constructed completely from 100% aluminium (6063 T6 grade), up to 30% of which has been recycled to make these boards eco-friendly and much better for the environment.

Maintenance

Due to the fact that Ali-Deck is aluminium and finished using the 5 stage Qualicoat system, little or no maintenance is required. General grime can be removed simply with a damp, lint free cloth or mop with warm soapy water.

Colour Options

The decking boards are available in two colours as shown to the right; textured silver grey and textured sand. Other colours are available on request.



The boards can be supplied without a powder coated finish to achieve the A1 fire rating and would therefore be a natural aluminium colour and appearance.

Warranty

The decking is supplied with a **10 year warranty** against splitting, cracking, warping, splintering, rotting, twisting and material or manufacturing defects. It has a minimum **50 year life** expectancy.



ALL ALUMINIUM



HEAT RESISTANT



DURABLE TEXTURED FINISH



LOW MAINTENANCE



RECYCLABLE



STABLE IN ALL WEATHER CONDITIONS



A2 FIRE RATED

Rochester Airport Trading Estate
27 Laker Road
Rochester
Kent ME1 3QX

Tel: 01622 235 672
Email: info@alideck.co.uk
www.alideck.co.uk

ALIDECK™
Aluminium Decking